

The above lights are designed for use on sail or power driven vessels under 20 meters (65.6 ft.) in length operating on a nominal 12 volt system. In order to comply with '72 COLREGS and the U.S. Inland Rules, the following must be adhered to:

### MOUNTING INFORMATION

Read all instructions before proceeding

- 1). These instructions show the orientation of the light after the proper mounting location has been determined. For proper light selection, positioning and configuration, refer to the A.B.Y.C. Standard A-16\*, the '72 COLREGS\* and the U.S. Inland Navigation Rules\*. These lights are supplied complete with 12 volt L.E.D.'s. L.E.D. lights have no user serviceable parts.
- 2). This light is designed to be mounted on a horizontal surface.
- 3). Draw a 4" long reference line through the center of the selected mounting location and parallel to the centerline of the boat.
- 4). Cut out the mounting template below. Tape it on the mounting surface such that the reference line (drawn above) is directly underneath the reference line marked on the template.
- 5). Drill 2 holes through the template to accommodate #8 oval head mounting screws. Drill one 3/8" hole to accommodate the electric wiring.
- 6). Attach supply connections to the light and observe polarity, make sure to wire in accordance with both A.B.Y.C. Standard E-9\* and U.S. Coast Guard Safety Standards for Boat Electrical Systems (33 CFR 183)\*.
- 7). Mount the light in accordance with the template, making sure the clear lens faces ahead (not astern).

\* The above referenced standards can be obtained from:

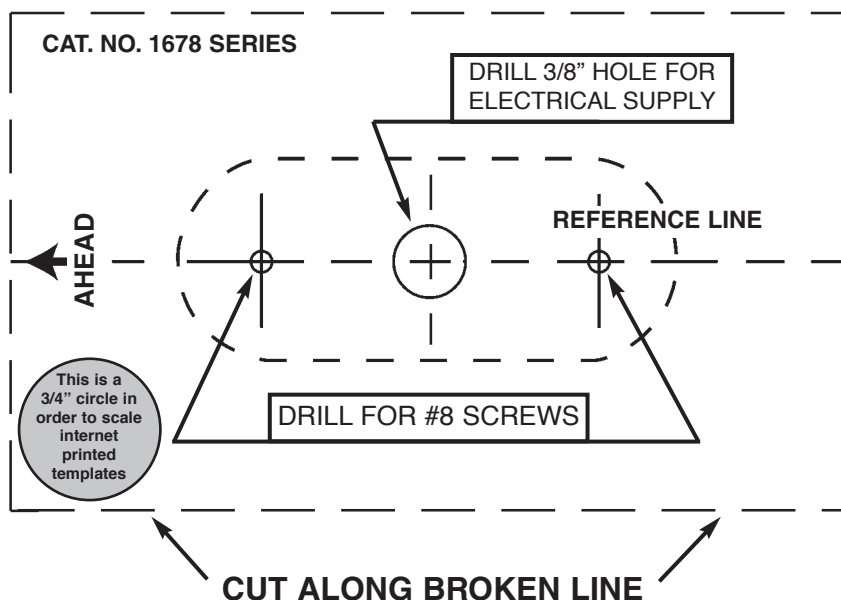
1). American Boat & Yacht Council, Inc.  
613 Third Street, Suite 10  
Annapolis, MD 21403

2). U.S. Coast Guard  
Washington, D.C. 20593  
(or your local C.G. office)

10/18  
1678INS1

PERKO, INC.  
16490 N.W. 13th Avenue  
Miami, FL 33169-5707  
www.perko.com

### MOUNTING TEMPLATE



NOTE: TOP OF LIGHT MUST BE VERTICAL DURING OPERATION



Fig. 1678